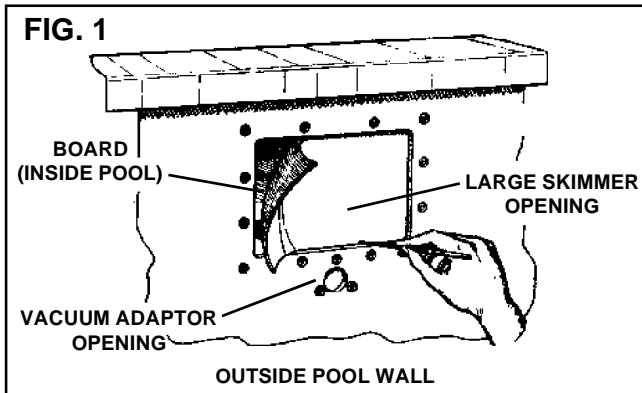


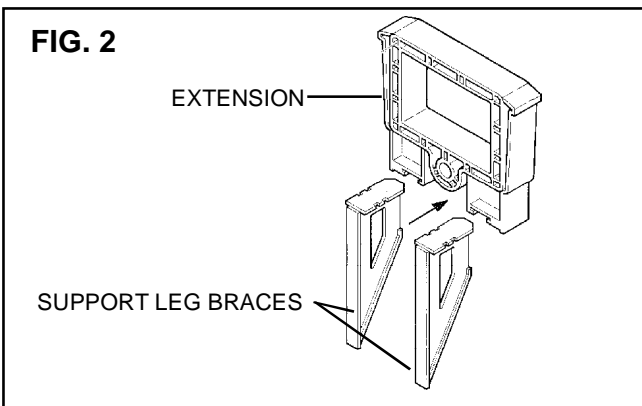
Doughboy has made this skimmer extension for use with Doughboy Skim-Line and Deluxe Thru-Wall Skimmer models that are to be installed on a Doughboy Classic 8 1/2" or Impressions model pool. This extension will allow the extra room required for access to the skimmer. These instructions replace some steps in your Thru-Wall Skimmer/Skim Filter Owner's Guide. If you have followed the instructions included with your skimmer/skim filter to this point, you should have removed your skimmer from the carton, removed the lid and hardware package from your skimmer, and attached the weir assembly. You will not be using the faceplate screws that were provided with your skimmer/skim filter. The screws provided with this extension will replace them.

INSTALLATION

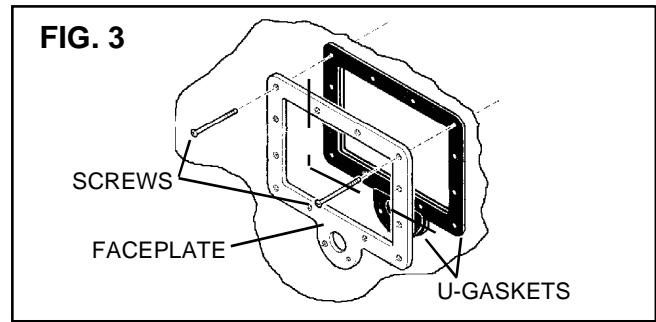
1. Firmly press a piece of plywood large enough to cover the skimmer wall cutouts against the liner and over the cutouts. **From outside the pool, use a razor knife to trim the liner away using the edge of the rectangular wall cutout as a guide. When finished, trim away the liner around the vacuum adaptor opening in the same manner. See Fig.1.**



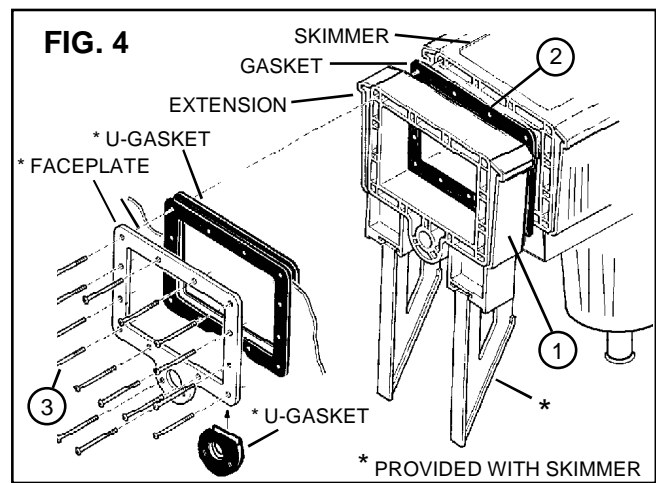
2. If the skimmer/skim filter you purchased requires support leg braces and already has them installed, carefully pop them out. Slide the braces into the slots provided under the opening of the skimmer extension so that the flat surface of the braces is facing out (these will support the skimmer/skim filter against the pool wall, see Fig. 2). Press firmly on the braces to snap lock them into place.



3. The skimmer extension has two alignment tabs that will slide into the slots under the faceplate of the skimmer/skim filter. Align a gasket with the extension over the tabs. Slide the tabs of the extension into the skimmer/skim filter so that the gasket aligns between them. Set this assembly aside for now.
4. Install the upper faceplate u-gasket (provided with skimmer) into the rectangular wall opening making sure that the liner edges are completely covered by the gasket. Adjust the gasket so that the flanges lay flat against both the liner and outside pool wall. Punch out the two top corner holes using a nail. Install the lower faceplate u-gasket into the vacuum port opening. See Fig. 4.



5. Position the faceplate over the gaskets and insert two large self-threading screws into the top corner holes and carefully push the screws through the holes which have been pierced in the liner. See Fig. 3.
6. Place the skimmer/skim filter, gasket and extension assembly onto the screws. Turn the two screws just enough that the screw threads begin to thread into the skimmer/skim filter body. Do not tighten them down yet. See Fig.4.



7. Insure that both inside and outside gaskets are aligned and in contact with the flanges of the faceplate, extension, and skimmer. Using the faceplate as a guide, pierce the remaining 13 screw holes in the liner. Insert the remaining screws just enough that the screw threads begin to thread into the skimmer/skim filter body. Firmly tighten all screws evenly, alternating left to right and top to bottom, until all screws are tight.
8. At this point return to your skimmer/skim filter owner's guide to finish skimmer and return fitting installation.

Change of Design: Doughboy Recreational expressly reserves the right to change or modify the design and construction of any product in due course of their manufacturing procedures, without incurring any obligation to furnish or install such changes or modifications on products previously or subsequently sold.

PARTS LIST			
Item	Part No.	Qty.	Description
1.	340-1763	1	Skimmer Extension - Beige
	340-2042	1	Skimmer Extension - Gray
2.	307-1027	1	Gasket
3.	303-1170	15	#12 x 3 1/4" Screw
4.	365-1863	1	Owner's Guide

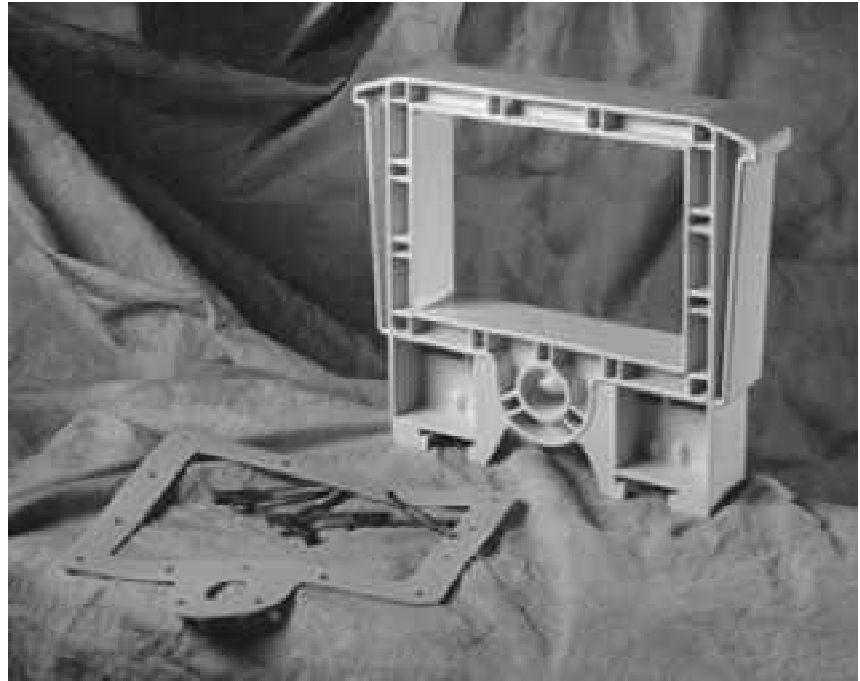
DOUGHBOY RECREATIONAL • 10959 Jersey Blvd. • Rancho Cucamonga, CA 91730



Skimmer Extension

Models 0-2351-001/0-2351-002

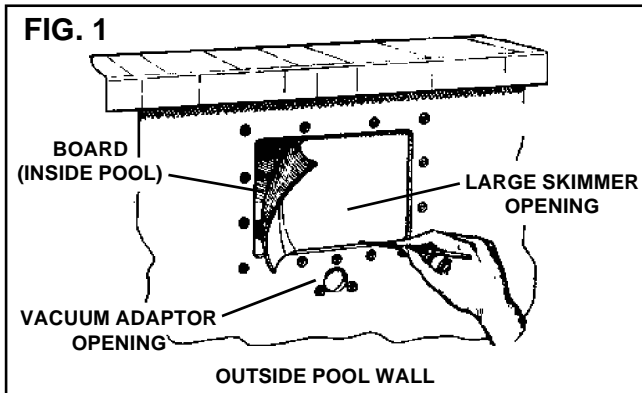
Owner's Guide



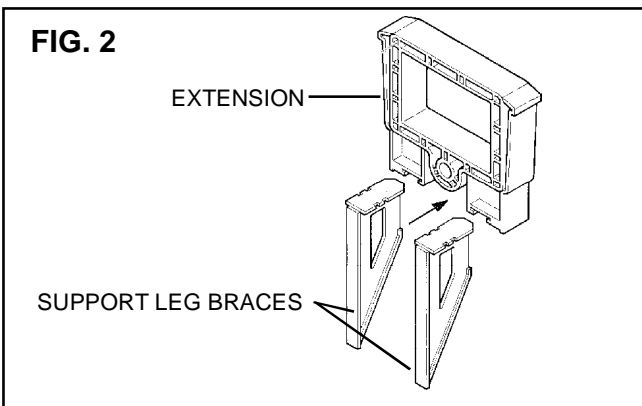
Doughboy has made this skimmer extension for use with Doughboy Skim-Line and Deluxe Thru-Wall Skimmer models that are to be installed on a Doughboy Classic 8 1/2" or Impressions model pool. This extension will allow the extra room required for access to the skimmer. These instructions replace some steps in your Thru-Wall Skimmer/Skim Filter Owner's Guide. If you have followed the instructions included with your skimmer/skim filter to this point, you should have removed your skimmer from the carton, removed the lid and hardware package from your skimmer, and attached the weir assembly. You will not be using the faceplate screws that were provided with your skimmer/skim filter. The screws provided with this extension will replace them.

INSTALLATION

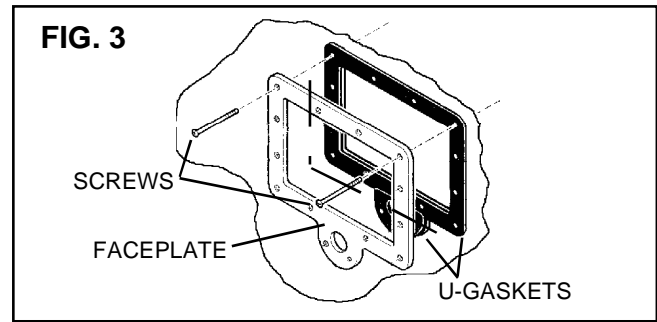
1. Firmly press a piece of plywood large enough to cover the skimmer wall cutouts against the liner and over the cutouts. **From outside the pool, use a razor knife to trim the liner away using the edge of the rectangular wall cutout as a guide. When finished, trim away the liner around the vacuum adaptor opening in the same manner. See Fig.1.**



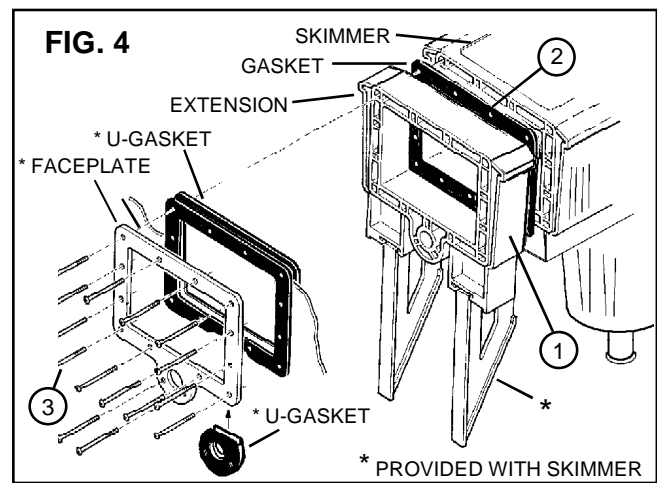
2. If the skimmer/skim filter you purchased requires support leg braces and already has them installed, carefully pop them out. Slide the braces into the slots provided under the opening of the skimmer extension so that the flat surface of the braces is facing out (these will support the skimmer/skim filter against the pool wall, see Fig. 2). Press firmly on the braces to snap lock them into place.



3. The skimmer extension has two alignment tabs that will slide into the slots under the faceplate of the skimmer/skim filter. Align a gasket with the extension over the tabs. Slide the tabs of the extension into the skimmer/skim filter so that the gasket aligns between them. Set this assembly aside for now.
4. Install the upper faceplate u-gasket (provided with skimmer) into the rectangular wall opening making sure that the liner edges are completely covered by the gasket. Adjust the gasket so that the flanges lay flat against both the liner and outside pool wall. Punch out the two top corner holes using a nail. Install the lower faceplate u-gasket into the vacuum port opening. See Fig. 4.



5. Position the faceplate over the gaskets and insert two large self-threading screws into the top corner holes and carefully push the screws through the holes which have been pierced in the liner. See Fig. 3.
6. Place the skimmer/skim filter, gasket and extension assembly onto the screws. Turn the two screws just enough that the screw threads begin to thread into the skimmer/skim filter body. Do not tighten them down yet. See Fig.4.



7. Insure that both inside and outside gaskets are aligned and in contact with the flanges of the faceplate, extension, and skimmer. Using the faceplate as a guide, pierce the remaining 13 screw holes in the liner. Insert the remaining screws just enough that the screw threads begin to thread into the skimmer/skim filter body. Firmly tighten all screws evenly, alternating left to right and top to bottom, until all screws are tight.
8. At this point return to your skimmer/skim filter owner's guide to finish skimmer and return fitting installation.

Change of Design: Doughboy Recreational expressly reserves the right to change or modify the design and construction of any product in due course of their manufacturing procedures, without incurring any obligation to furnish or install such changes or modifications on products previously or subsequently sold.

PARTS LIST			
Item	Part No.	Qty.	Description
1.	340-1763	1	Skimmer Extension - Beige
	340-2042	1	Skimmer Extension - Gray
2.	307-1027	1	Gasket
3.	303-1170	15	#12 x 3 1/4" Screw
4.	365-1863	1	Owner's Guide

DOUGHBOY RECREATIONAL • 10959 Jersey Blvd. • Rancho Cucamonga, CA 91730



Skimmer Extension

Models 0-2351-001/0-2351-002

Owner's Guide

